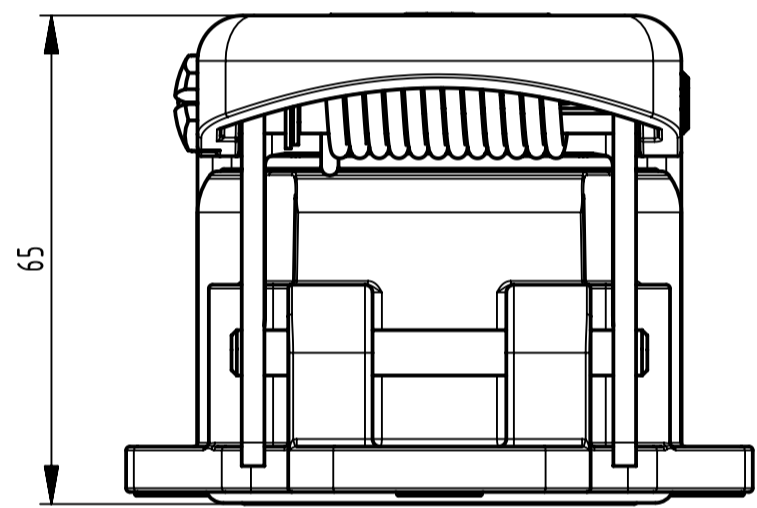
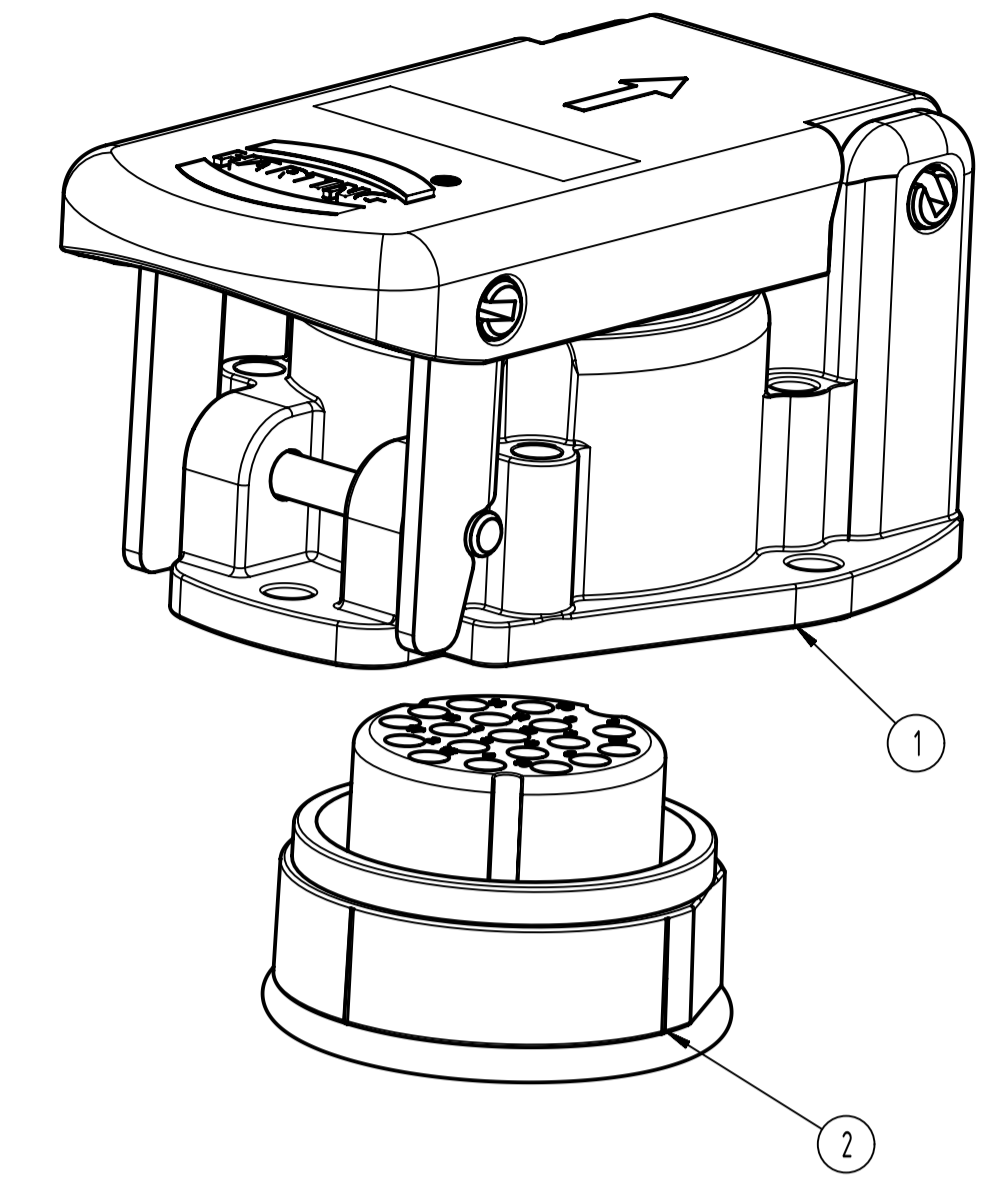
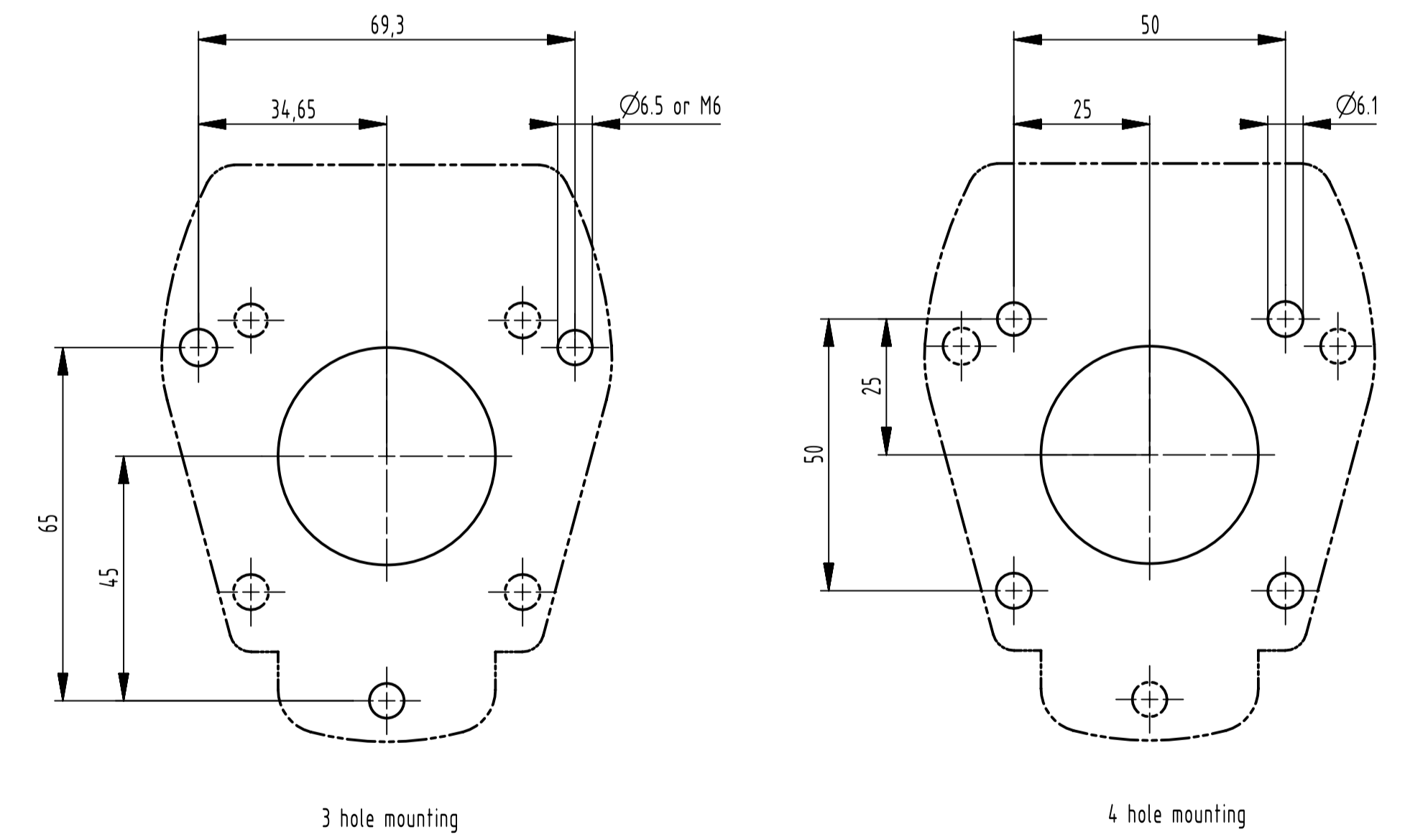
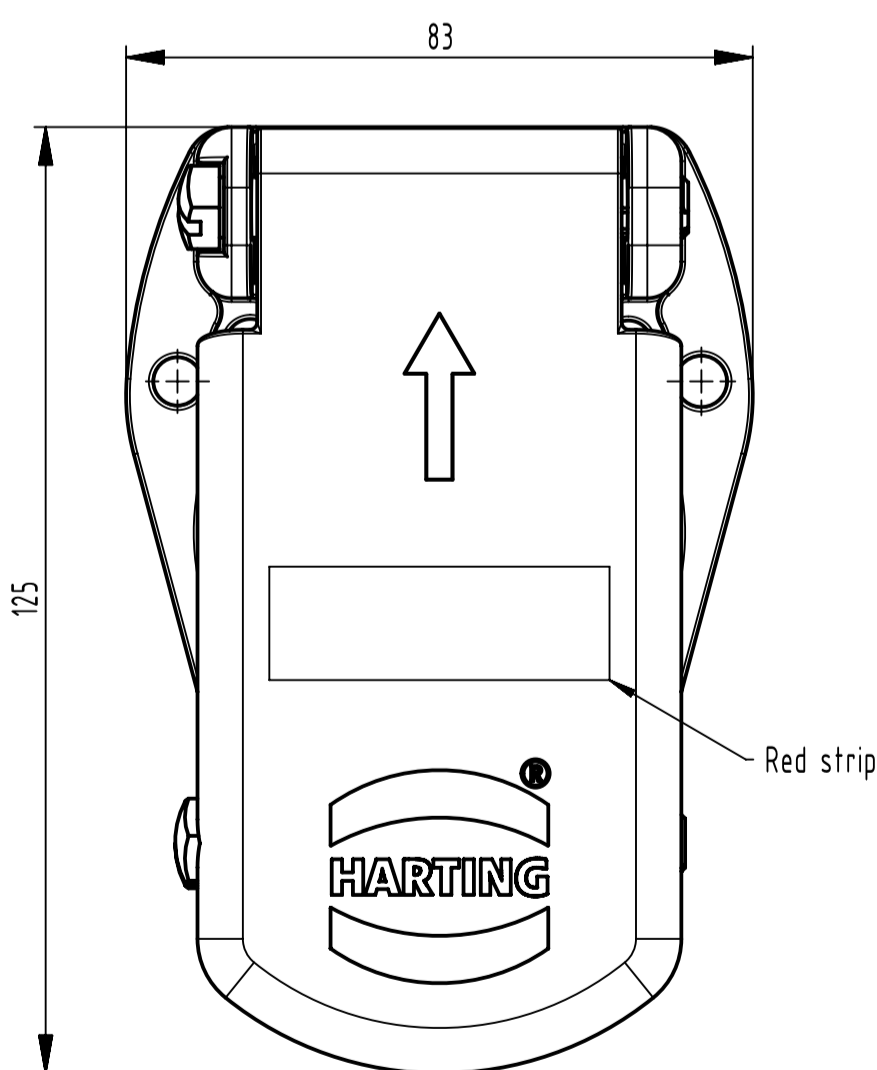
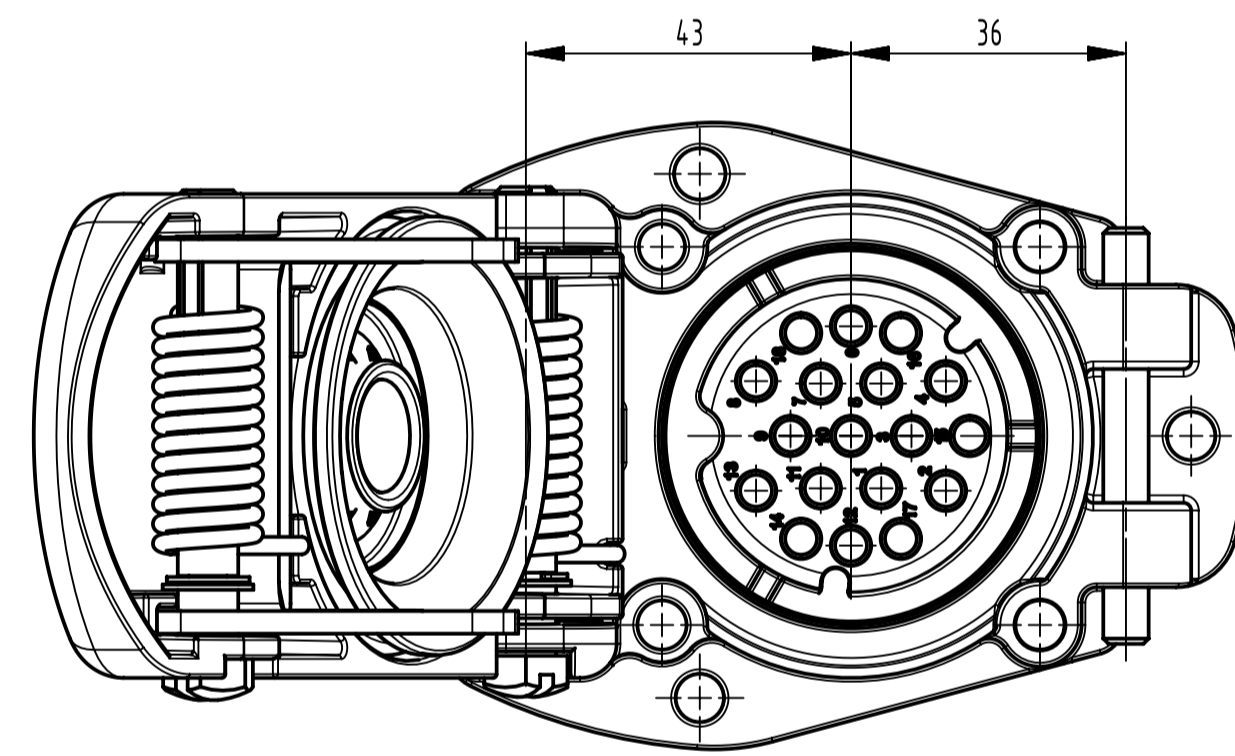


Lid at opened condition



Lid at closed condition



Refer data sheet for product specification

S. No.	Part number	Part description	UOM	QTY/ ASSY
1	09 58 001 0302	UIC558-HBM/CM-18PIN	PC	1
2	09 58 018 3101	UIC558-18PIN-FL-CRT	PC	1

	All Dimensions in mm Original Size DIN A1	Scale 1:1	Free size tol.	Ref. Sub.
	All rights reserved Department EL PD	Created by 40742 Krichbaum	Inspected by 402933 Krichbaum	Standarisaton ROEBEN Söben
Title UIC 558 18PIN SOCKET DUMMY KIT		Date 2022-02-03	State Final Release	Doc-Key / ECM-Nr. 100993451UGD/001XA 10000020984
HARTING D-32339 Espelkamp		Type TB	Number 09 58 018 1014	Rev. A